



G* GRASS®

DYNAPRO SLIDE SYSTEM

The new generation of slides for wooden drawers.
Elegant, comfortable, invisible and extremely effective.





To create a product innovation is one thing.
To establish it is quite another. To successfully
develop product innovations – that is our business.
Dynapro is proof of that.

**It is nice when all it needs
is a slight tug.**

The force you need to open a drawer is what defines a technically mature system. This is another instance where Dynapro shines with its outstanding values. When Dynapro closes, the tried and tested Soft-close damping system provides a gentle closing comfort which makes it a joy to operate.



Modern furniture appeals through its large quiet surfaces and minimalist elegance. To match this trend, Dynapro offers two innovative opening systems: Tipmatic Plus and Sensomatic.

The new design freedom. Dynapro, the new generation of slides for wooden drawers, combines intelligent functionality, excellent gliding action and operating comfort to achieve maximum individuality.



DYNAPRO SLIDE-SYSTEM

Individuality is the buzzword of our times. Specially tailored products play an important role in almost every sphere of our lives – naturally our furniture is no exception. Household objects are not just expected to comply with aesthetic requirements – it is also a priority that they should function intelligently. Because a maximum of functional variability in modern furniture is what today's end-users want.

Important prerequisites for achieving this variability are fittings that allow furniture designers free range in their creativity, while also offering top quality in terms of technical performance. This is evermore

true as the requirements for operating comfort, stability, quiet operation and load rating increase. In order to be able to meet these changes in product requirements, GRASS has developed a completely new undermount slide system with functional properties and new technical developments which impress furniture makers and users alike.



reddot design award
winner 2010



For the most demanding requirements in terms of operating comfort, stability, quiet operation and load rating: Dynapro, the new generation of slides by GRASS, offers high-quality workmanship and functional variability for wooden drawers throughout the home.

What is visible defines the form of a piece.
But what is invisible constitutes its value.

[quote by: Lao Tse]



Special equipment for enhanced comfort.

The fact that Dynapro can offer maximum functional variability is due to its compatibility with all GRASS comfort systems. Soft-close, the successful damping system, closes Dynapro drawers gently and quietly. With Tipmatic Plus, the mechanical opening system, it is possible to design large handle-free fronts that will open with a slight touch. And with Sensomatic, the electro-mechanical opening system, Dynapro drawers open as if by magic. In combination with these extraordinary movement systems, Dynapro guarantees a maximum of operating comfort.

DYNAPRO SLIDE-SYSTEM

Invisible. Efficient. Effective.

The multitude of special qualities make Dynapro an extremely economical movement system for the future.



3D adjustment option for perfect alignment: Height-adjustment, Side-adjustment and Tilt-adjustment.

Dynapro is the first undermount slide system worldwide with an integrated three-dimensional adjustment option. The drawer can be adjusted vertically, horizontally as well as in its angle of tilt. This is the first time that a 3D adjustment facility, which has for some time been the standard for drawer systems such as Novapro and DWD-Dynamic-XP, was fully adopted for an undermount slide system.

Adjustments are simple operations which are easily performed without tools. In short, it just takes a few tweaks to achieve perfect alignment.

But it is not only the end user who benefits from these technical developments. For installers and industrial furniture makers, Dynapro offers significant cost saving potential as well as outstanding functional properties: thanks to the new undermount slide with three-dimensional adjustment facility, it is possible to change over production from four-sided to three-sided drawers. The

reason: with Dynapro, the front alignment can be performed using the 3D adjustment facility.

Synchronisation achieves smooth operation without a sound.

In contrast to conventional undermount slide systems, Dynapro is the only fitting worldwide that features a synchronisation mechanism. This mechanical synchronisation of each individual slide ensures enhanced comfort. With Dynapro, slide members move without annoying sounds or resistance, a fact that

predestines this slide system for application in domestic furniture. The operating characteristics of Dynapro remain unchanged even when moving heavy loads. Loads of up to 60 kg present no problem for the system. Abrasion-resistant nylon rollers always ensure smooth and even operation.

Quality-Certificate



Full extension slide Soft-close 40 kg

Slide-on installation with integrated Soft-close damper.



- Full extension slide, synchronised, 40 kg load rating
- Soft-close damping system
- Continuous self locking of drawer when pushed onto slide
- Integrated height adjustment +3.5 mm without tools,
- Adjustment adapter for side adjustment ± 1.5 mm, and tilt adjustment +4.0 mm without tools

Dynapro full extension slide, 40 kg



Nominal length	Item No. Soft-close
250	F130116014204
270	F130116015204
300	F130116016204
320	F130116017204
350	F130116018204
380	F130116019204
400	F130116020204
420	F130116021204
450	F130116022204
480	F130116023204
500	F130116024204
520	F130116025204
550	F130116026204
PU 5	

PU 5 = 5 sets per carton

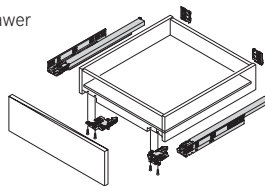
Locking device and adjustment adapter in set



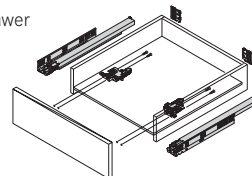
	Item No.
(Please order separately)	F134125074517
	PU 1/50

PU 1/50 = 1 set locking device le/ri, 1 set adjustment adaptor le/ri / 50 polybags per carton

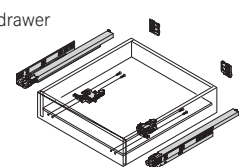
4-sided drawer



3-sided drawer



Inset drawer

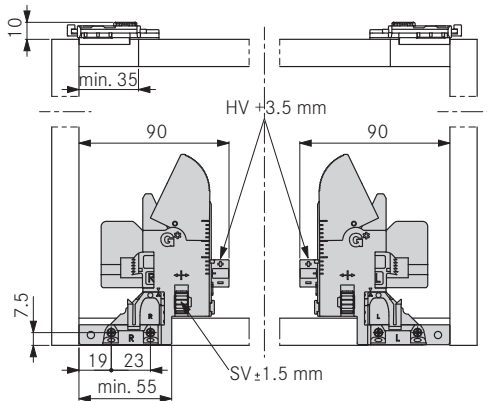


PU = Packaging Unit

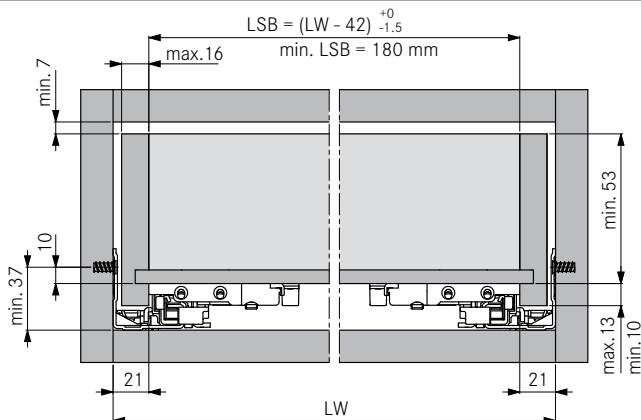
Accessories and assembly aides			
Grass Ino(x)sys	Page 14	Sub-divider systems	Page 18
Round railing	Page 16	Accessories and assembly aides	Page 20
		Technical information	Page 22

Nominal length	Drawer length	Min. installation depth	Drawer	Inset drawer
250	240	253		
270	260	273		
300	290	303		
320	310	323		
350	340	353		
380	370	383		
400	390	403		
420	410	423		
450	440	453		
480	470	483		
500	490	503	SK = drawer length NL = nominal length X = minimum installation depth	
520	510	523		
550	540	553		

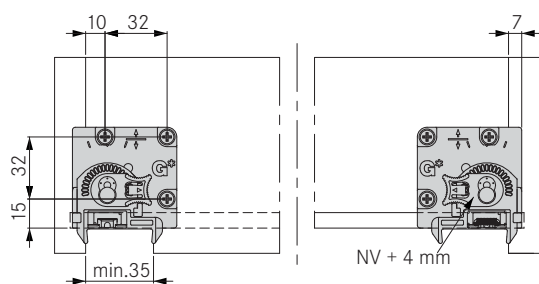
Fixing position of locking device



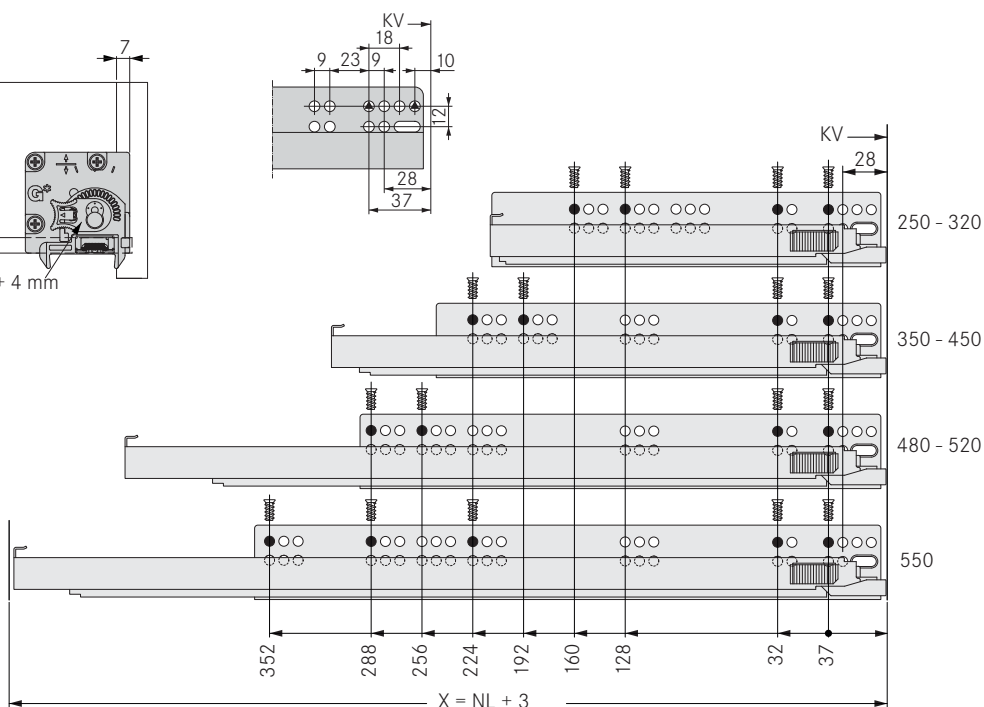
Installation dimensions of drawer



Fixing position of adjustment adapter



Fixing position of cabinet member



LSB = inside drawer width
 LW = inside cabinet width
 HV = height adjustment
 SV = side adjustment
 NV = tilt adjustment
 KV = front edge of cabinet

All dimensions in millimetres.

Full extension slide Soft-close 60 kg

Slide-on installation with integrated Soft-close damper.



- Full extension slide, synchronised, 60 kg load rating
- Soft-close damping system
- Continuous self locking of drawer when pushed onto slide
- Integrated height adjustment +3.5 mm without tools,
- Adjustment adapter for side adjustment ± 1.5 mm, and tilt adjustment +4.0 mm without tools

Dynapro full extension slide, 60 kg



Nominal length	Item No. Soft-close
450	F130116027204
500	F130116028204
520	F130116029204
550	F130116030204
580	F130116031204
600	F130116032204
650	F130116033204
700*	F130116034204
750*	F130116035204
	PU 5

PU 5 = 5 sets per carton
 * Load capacity 50 kg

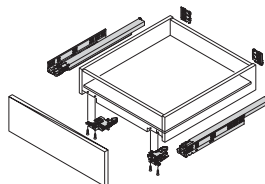
Locking device and adjustment adapter in set



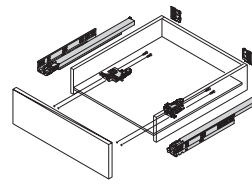
	Item No.
(Please order separately)	F134125074517
	PU 1/50

PU 1/50 = 1 set locking device le/ri, 1 set adjustment adaptor le/ri / 50 polybags per carton

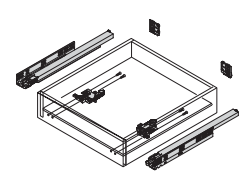
4-sided drawer



3-sided drawer



Inset drawer

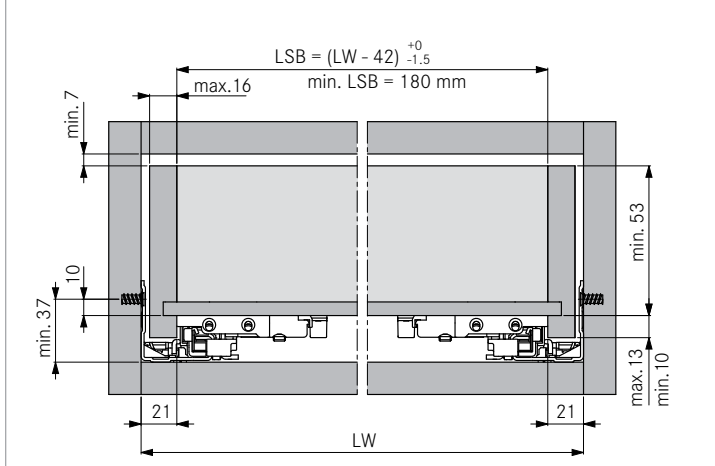
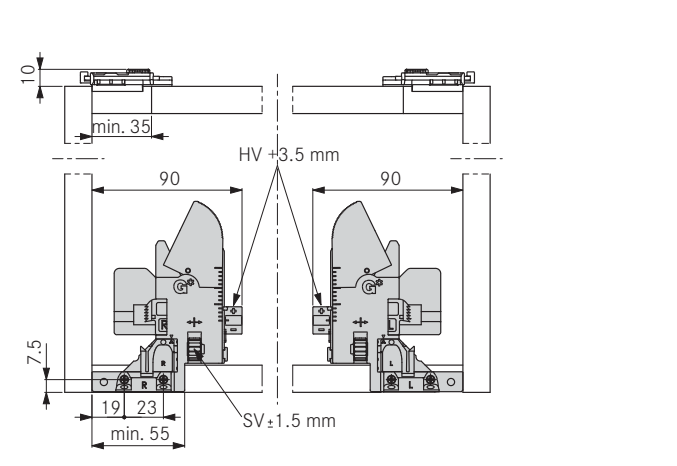


PU = Packaging Unit

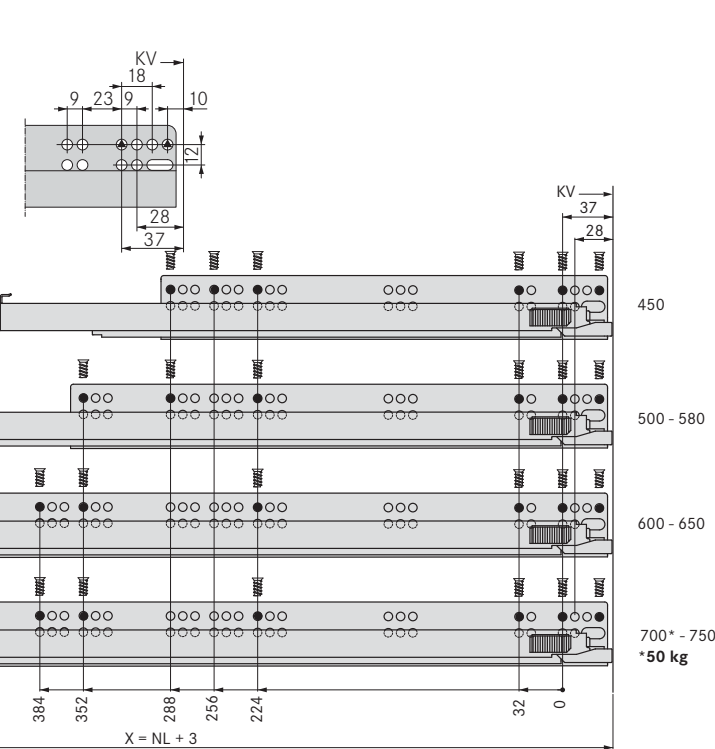
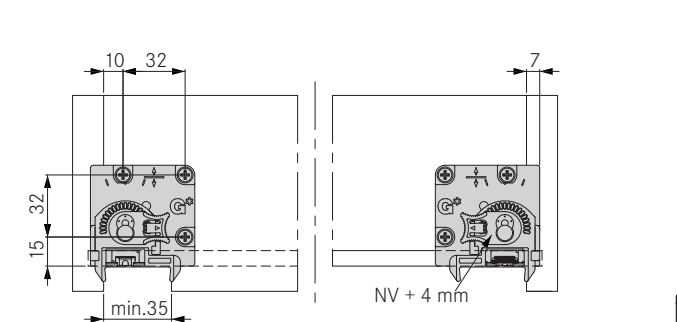
Accessories and assembly aides			
Grass Ino(x)sys	Page 14	Sub-divider systems	Page 18
Round railing	Page 16	Accessories and assembly aides	Page 20
		Technical information	Page 22

Nominal length	Drawer length	Min. installation depth	Drawer	Inset drawer
450	440	453	<p>SK = drawer length NL = nominal length X = minimum installation depth</p>	
500	490	503		
520	510	523		
550	540	553		
580	570	583		
600	590	603		
650	640	653		
700	690	703		
750	740	753		

Fixing position of locking device **Installation dimensions of drawer**



Fixing position of adjustment adapter **Fixing position of cabinet member**



LSB = inside drawer width
LW = inside cabinet width
HV = height adjustment
SV = side adjustment
NV = tilt adjustment
KV = front edge of cabinet

All dimensions in millimetres.

System information

Slides

Organisation and railing systems

Accessories and assembly aids

Technical information

Full extension slide Tipmatic Plus 40 kg

Slide-on installation with comfortable Tipmatic Plus ejector technology.



- Full extension slide, synchronised, 40 kg load rating
- Tipmatic Plus automatic ejector
- Continuous self locking of drawer when pushed onto slide
- Integrated height adjustment +3.5 mm without tools,
- Adjustment adapter for side adjustment ± 1.5 mm, tilt adjustment +4.0 mm and front gap alignment ± 1.5 mm (factory setting 4.5 mm) without tools

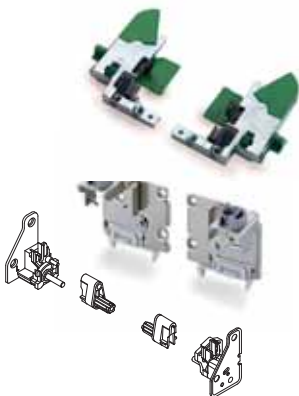
Dynapro full extension slide, 40 kg



Nominal length	Item No. Tipmatic Plus
250	F130116036204
270	F130116037204
300	F130116038204
320	F130116039204
350	F130116040204
380	F130116041204
400	F130116042204
420	F130116043204
450	F130116044204
480	F130116045204
500	F130116046204
520	F130116047204
550	F130116048204
	PU 5

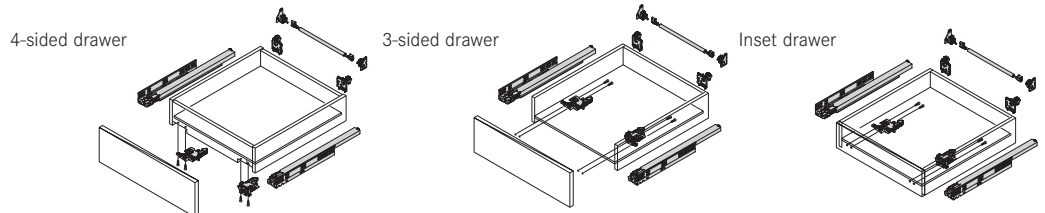
PU 5 = 5 sets per carton

Locking device, adjustment adapter Tipmatic Plus, locking unit and connecting levers in set

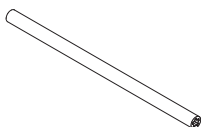


	Item No.
(Please order separately)	F134125076504
	PU 1/5

PU 1/5 = 1 set locking device le/ri, 1 set adjustment adapter Tipmatic Plus le/ri, 1 set locking device le/ri set, 2 pieces connector levers / 5 polybags per carton



Synchronisation bar



	Item No.
(Please order separately)	6430.1070.5
	PU 10

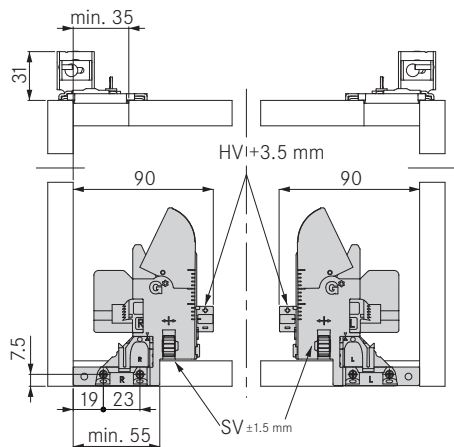
PU 10 = 10 pieces

PU = Packaging Unit

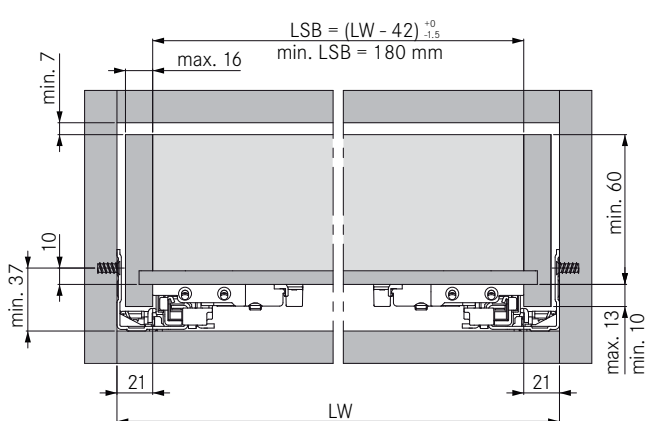
Accessories and assembly aides			
Grass Ino(x)sys	Page 14	Sub-divider systems	Page 18
Round railing	Page 16	Accessories and assembly aides	Page 20
		Technical information	Page 22

Nominal length	Drawer length	Min. installation depth	Drawer	Inset drawer
250	240	275		
270	260	295		
300	290	325		
320	310	345		
350	340	375		
380	370	405		
400	390	425		
420	410	445		
450	440	475		
480	470	505		
500	490	525	SK = drawer length NL = nominal length X = minimum installation depth	
520	510	545		
550	540	575		

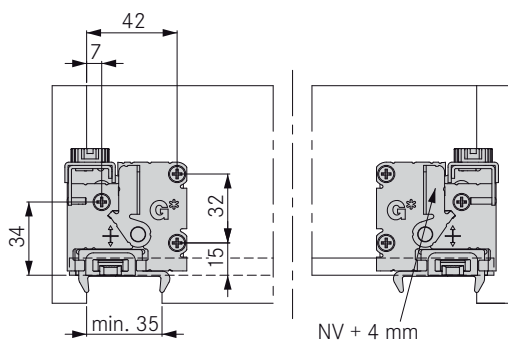
Fixing position of locking device



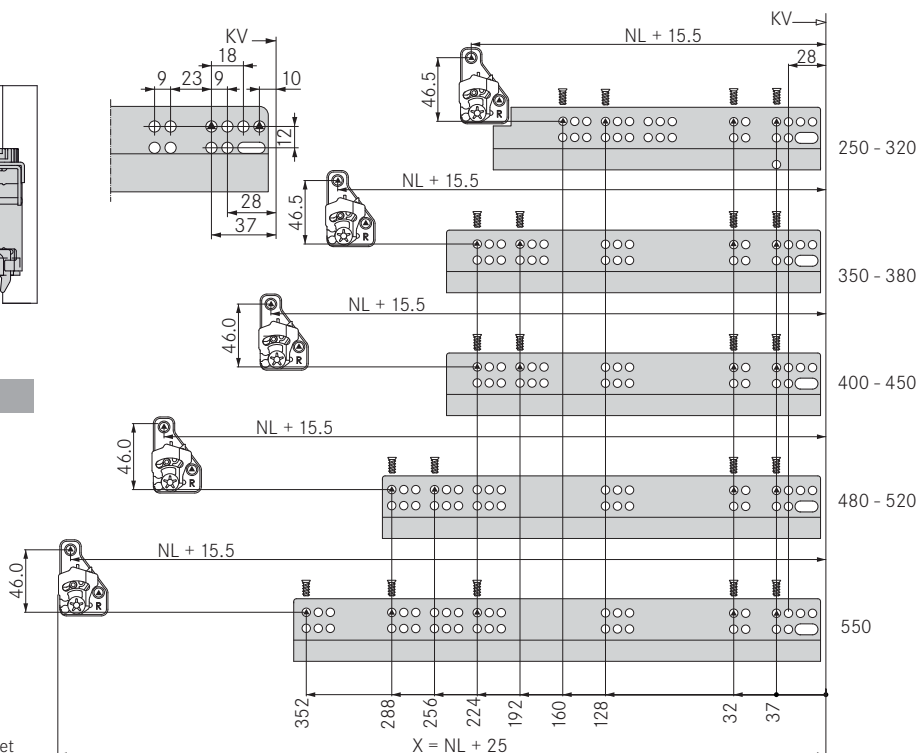
Installation dimensions of drawer



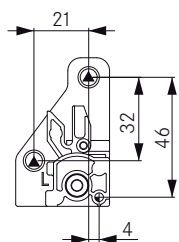
Fixing position of adjustment adapter Tiptmatic Plus



Fixing position of cabinet member



Fixing position of locking unit



LSB = inside drawer width
 LW = inside cabinet width
 HV = height adjustment
 SV = side adjustment

NV = tilt adjustment
 KV = front edge of cabinet
 TV = depth adjustment

All dimensions in millimetres.

Full extension slide Tipmatic Plus 60 kg

Slide-on installation with comfortable Tipmatic Plus ejector technology.



- Full extension slide, synchronised, 60 kg load rating
- Tipmatic Plus automatic ejector
- Continuous self locking of drawer when pushed onto slide
- Integrated vertical adjustment +3.5 mm without tools,
- Adjustment adapter for side adjustment ± 1.5 mm, tilt adjustment +4.0 mm and front gap alignment ± 1.5 mm, (factory setting 4.5 mm) without tools

Dynapro full extension slide, 60 kg



Nominal length	Item No. Tipmatic Plus
450	F130116049204
500	F130116050204
520	F130116051204
550	F130116052204
580	F130116053204
600	F130116054204
650	F130116055204
	PU 5

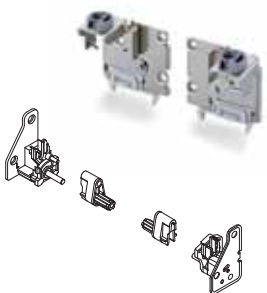
PU 5 = 5 sets per carton

Locking device, adjustment adapter Tipmatic Plus, locking unit and connecting levers in set

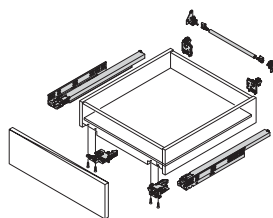


	Item No.
(Please order separately)	F134125076504
	PU 1/5

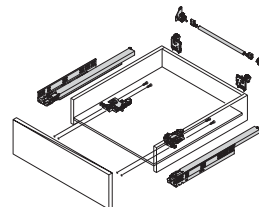
PU 1/5 = 1 set locking device le/ri, 1 set adjustment adapter Tipmatic Plus le/ri, 1 set locking device le/ri set, 2 pieces connector levers / 5 polybags per carton



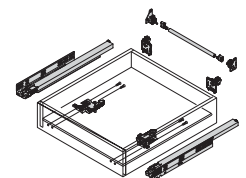
4-sided drawer



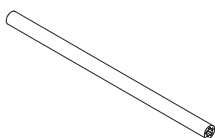
3-sided drawer



Inset drawer



Synchronisation bar



	Item No.
(Please order separately)	6430.1070.5
	PU 10

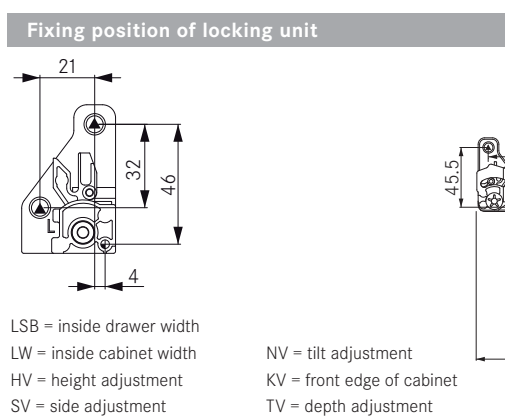
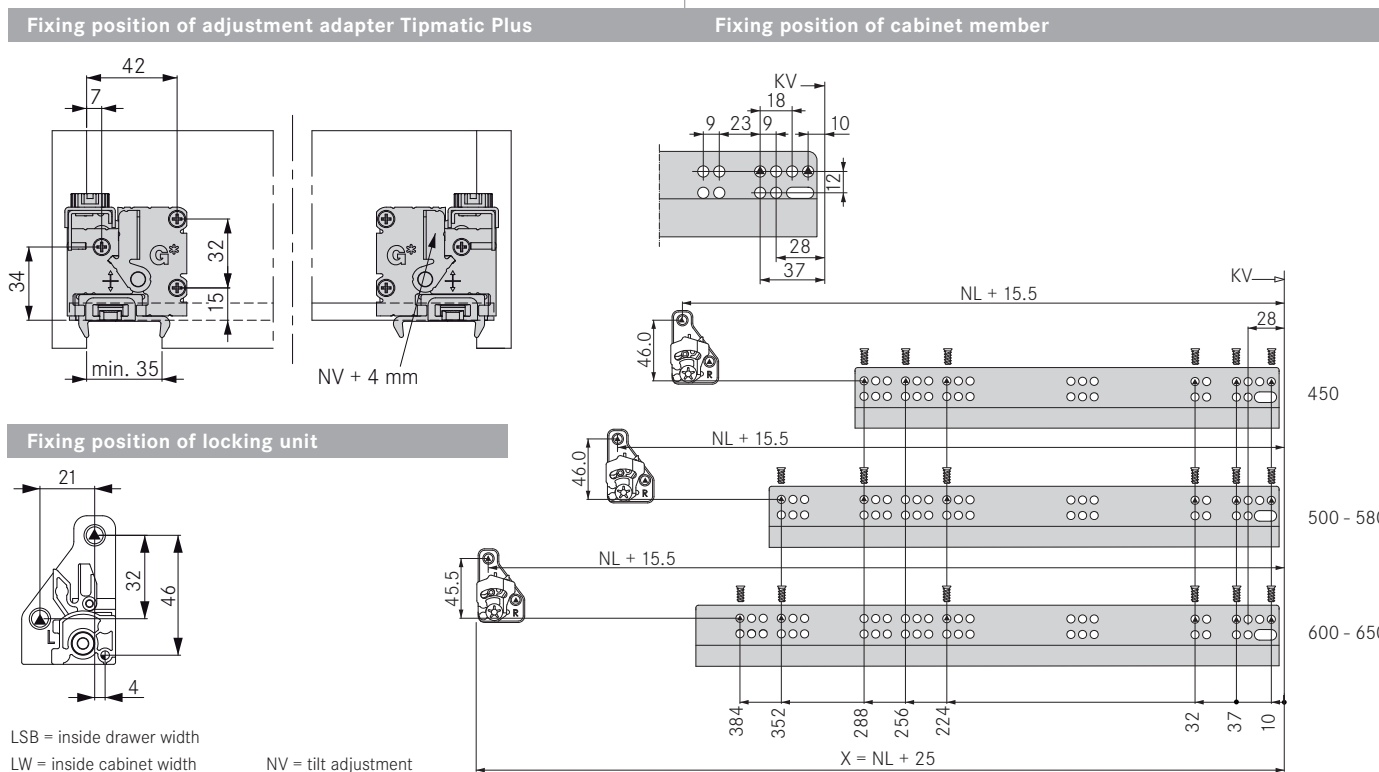
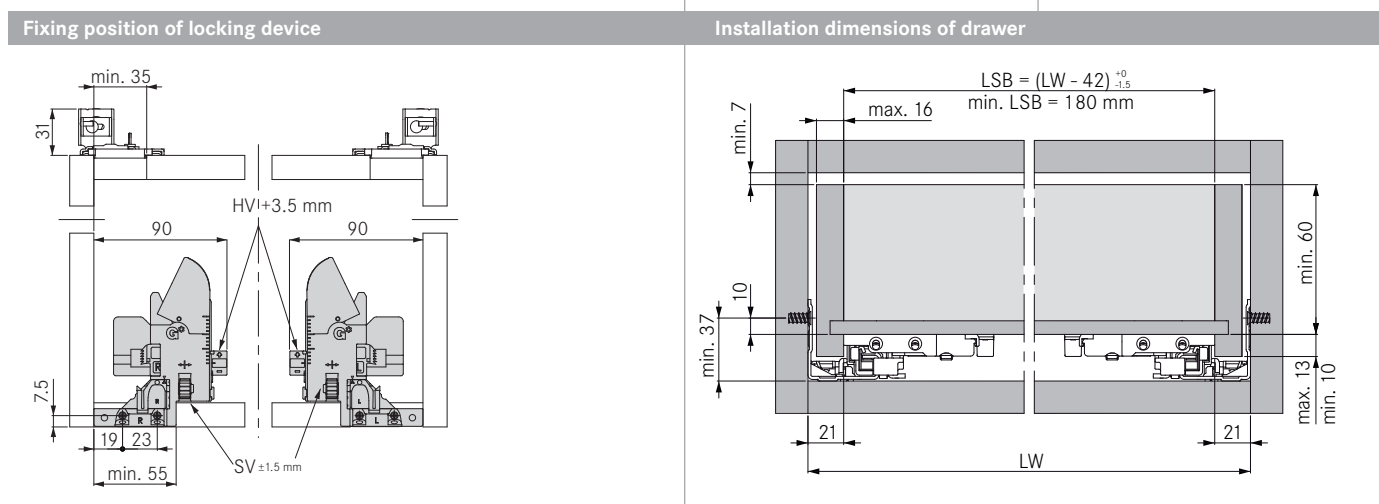
PU 10 = 10 pieces

PU = Packaging Unit

Accessories and assembly aides			
Grass Ino(x)sys	Page 14	Sub-divider systems	Page 18
Round railing	Page 16	Accessories and assembly aides	Page 20
		Technical information	Page 22

Nominal length	Drawer length	Min. installation depth	Drawer	Inset drawer
450	440	475		
500	490	525		
520	510	545		
550	540	575		
580	570	605		
600	590	625		
650	640	675		

SK = drawer length
NL = nominal length
X = minimum installation depth



All dimensions in millimetres.

Grass Ino(x)sys

The modular organising system for wooden drawers.



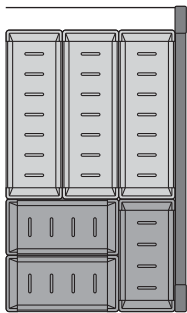
More order - that is what Ino(x)sys gives you.

Clear, practical, orderly and yet very versatile. The attractive dishwasher proof Ino(x)sys trays offer practical solutions for many uses and make every day life easier.

- Application: drawers for cutlery and small items
- High-quality trays in stainless steel
- Optimum design – optimum use of the available space
- Dishwasher proof stainless steel trays



Grass Ino(x)sys B3 from cabinet width 400



Nominal length	Item No.
500	66516-01
	PU 1

PU 1 = 1 set

Grass Ino(x)sys B4 from cabinet width 500



Nominal length	Item No.
500	66517-01
	PU 1

PU 1 = 1 set

PU = Packaging Unit

Accessories and assembly aides			
Round railing	Page 16	Accessories and assembly aides	Page 20
Sub-divider systems	Page 18	Technical information	Page 22

Diagram: Ino(x)sys B3

From outside cabinet width 400 mm

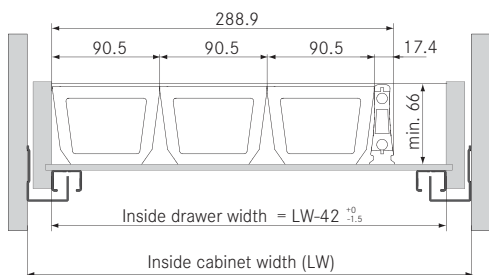
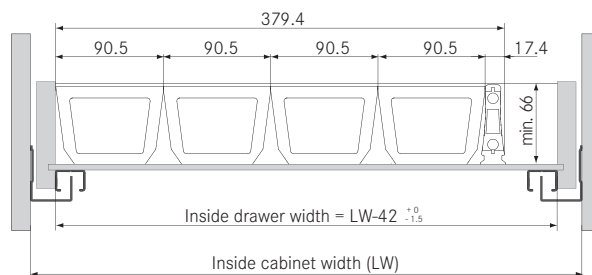


Diagram: Ino(x)sys B4

From outside cabinet width 500 mm



LW = inside cabinet width

Compensator: the compensator is manufactured in wood to suit the different drawer dimensions.
Use the following formulae for calculating the thickness of the compensator:

Ino(x)sys type B3

Application:

from outside cabinet width 400 mm, Dynapro nominal length 500 mm

Compensator thickness = inside drawer depth - 453 mm

Compensator width = 271.5 mm

compensator height = 65 mm

Ino(x)sys type B4

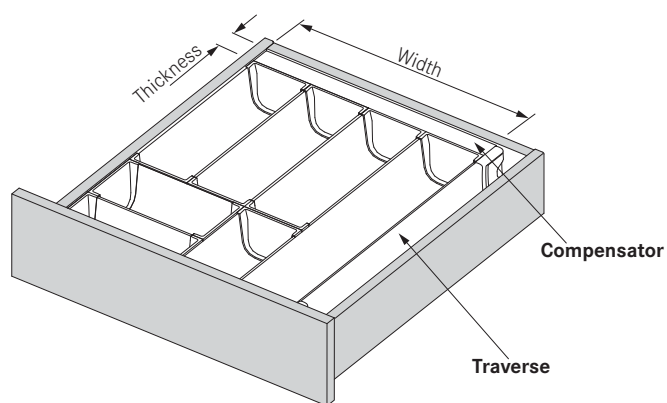
Application:

from outside cabinet width 500 mm, Dynapro nominal length 500 mm

Compensator thickness = inside drawer depth - 453 mm

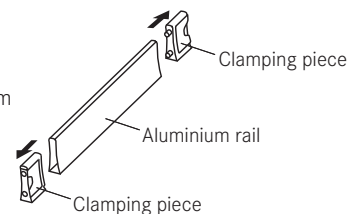
Compensator width = 362 mm

compensator height = 65 mm



Traverse:

Take the two clamping pieces off the traverse and cut the aluminium rail to length.



Ino(x)sys type B3 and B4

Length of aluminium rail = inside depth of drawer - 87 mm

All dimensions in millimetres.

Sub-divider systems

Organisation for wooden drawers.



- Optimum use of storage space for tall drawers
- Installation without tools
- Adjustable elements for individual dividing options
- Dividers are made of aluminium - easy to cut to size

Magic Mini Sidewing



Item No. light grey

12650

PU 4 No.

Magic Classic divider set



Cabinet width in mm

Item No. alu-metallic

600

12700.495.17

1200

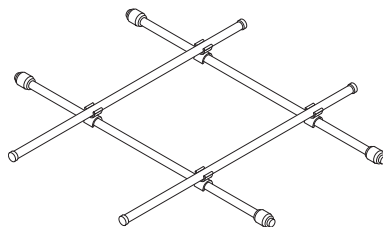
12700.1095.17

PU 1/25

PU 1/25 = 1 set in plastic bag / 25 sets in carton

Magic divider set

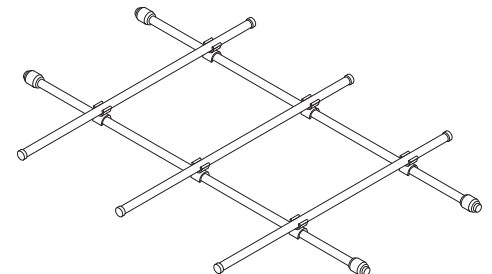
600 mm



1 set for 600 cabinet width comprises:
2 longitudinal dividers 462 mm
2 cross dividers 495 mm
4 cross fittings

Magic divider set

1200 mm



1 set for 1200 cabinet width comprises:
3 longitudinal dividers 462 mm
2 cross dividers 1095 mm
6 cross fittings

PU = Packaging Unit

Accessories and assembly aides

Grass Ino(x)sys

Page 14

Accessories and assembly aides

Page 20

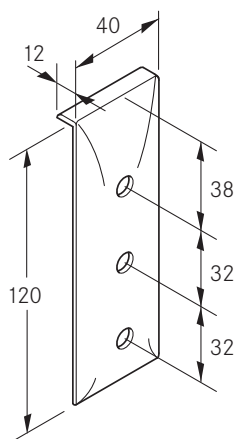
Technical information

Page 22

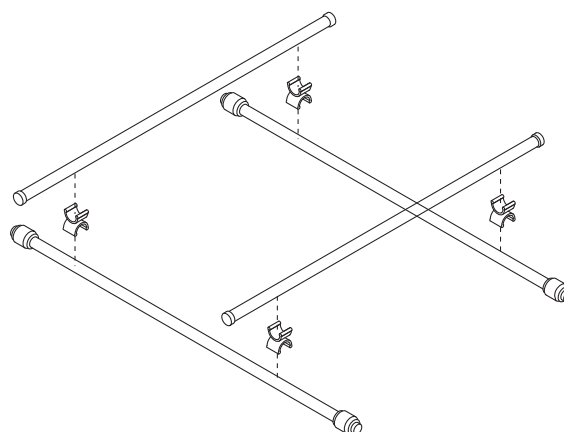
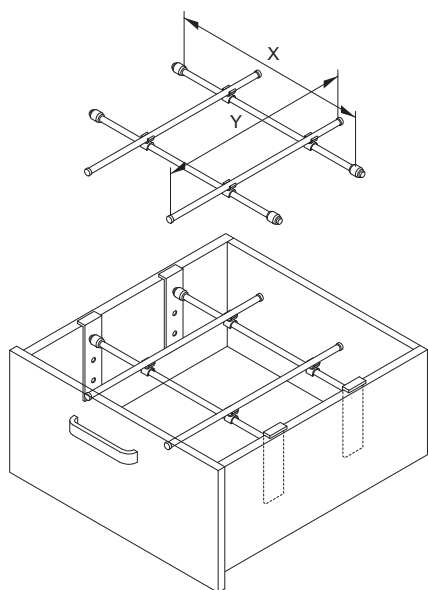
Sub-divider systems

Page 18

Installation dimensions Magic Mini Side Wing



Magic divider set

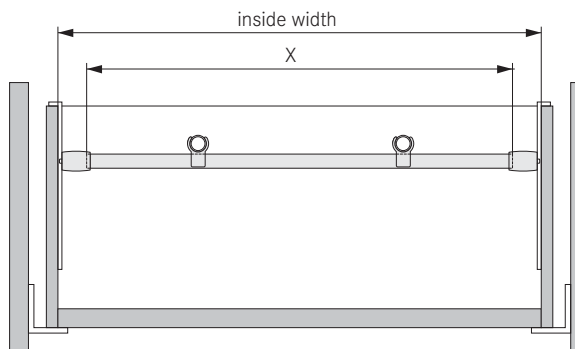
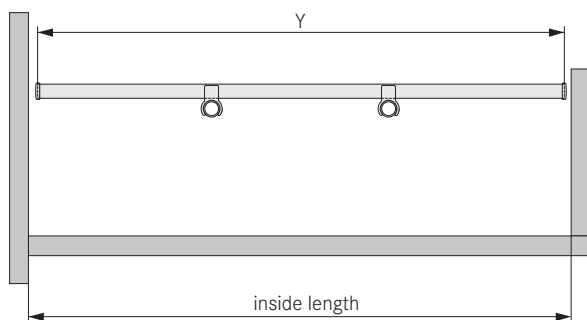


Longitudinal division

Cross division

Y = inside length of drawer - 14 mm

X = inside width of drawer - 41 mm



All dimensions in millimetres.

Round railing

Organisation for wooden drawers.



- Screw-on railing
- For Dynapro wooden drawer boxes with railing
- Rear railing holder in attractive design to suit high-quality wooden drawers

Screw-on railing set



Nominal length (NL)	Item No. nickel plated
450	13050.450.15
500	13050.500.15
550	13050.550.15
	PU 1/25

PU 1/25 = 1 set in plastic bag / 25 sets in carton

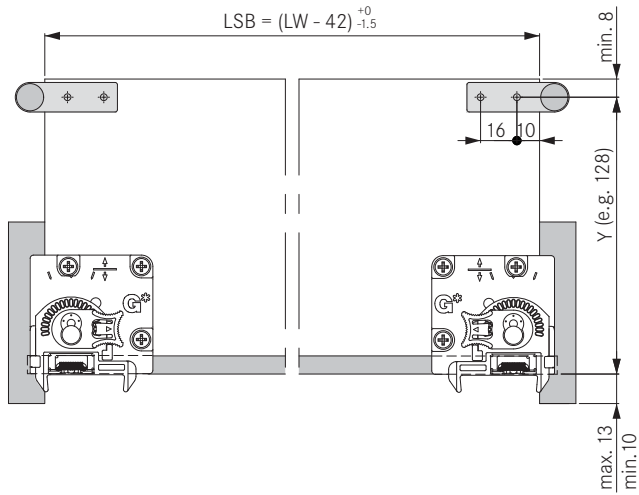
1 set comprises: 1 railing, nickel plated, le, 1 railing, nickel plated, ri, incl. cover sockets, 2 front mounting fittings for screw fixing of railing

Other lengths on request.

PU = Packaging Unit

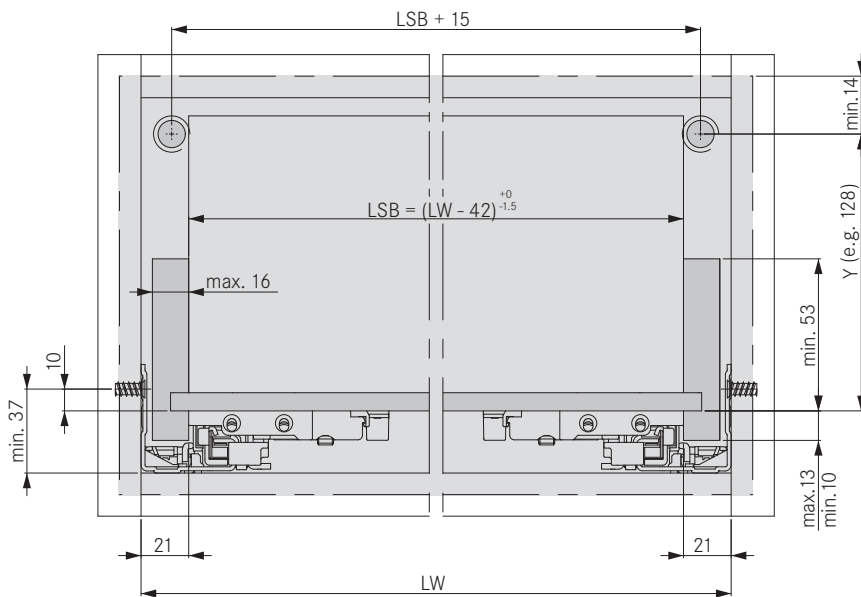
Accessories and assembly aides			
GRASS Ino(x)sys	Page 14	Accessories and assembly aides	Page 20
Round railing	Page 16	Technical information	Page 22

Side railing mounting back panel



LSB = inside drawer width
LW = inside cabinet width

Side railing mounting front panel



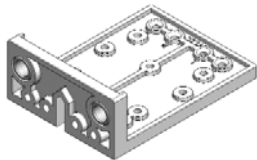
LSB = inside drawer width
LW = inside cabinet width

All dimensions in millimetres.

Accessories and assembly aides

for Dynapro

Drilling template for drawer

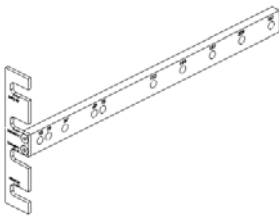


Item No.

F146109874299

PU 1 No.

Drilling template for cabinet slide member

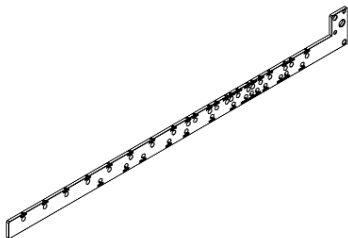


Item No.

F146109873299

PU 1 No.

Drilling template for Tipmatic Plus locking unit



Item No.

F146109875299

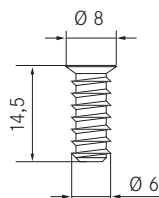
PU 1 No.

PU = Packaging Unit

Accessories and assembly aides			
Grass Ino(x)sys	Page 14	Sub-divider systems	Page 18
Round railing	Page 16	Technical information	Page 22

Euro screw, nickel plated

Steel, nickel plated
(crosshead Pozidrive No. 2)



Item No Ø 6 x 14,5 mm

83546-45

PU 1000 Pieces

Centering drill bit Ø 2,5 mm

The GRASS centering drill bit is used for pre-drilling
countersink chipboard screws, Ø 3.5 mm



Item No

Centering drill bit

35692

Spare drill bit

90561

Drill bit with guide ring, Ø 5 mm, for Euro screws

Use for pre-drilling for Euro screws



Item No

Drill bit for Euro screws

92594

Cross-head screwdriver

Grass cross-head screwdriver for hinges and
slides (Pozidrive No. 2)



Item No

Cross-head screwdriver

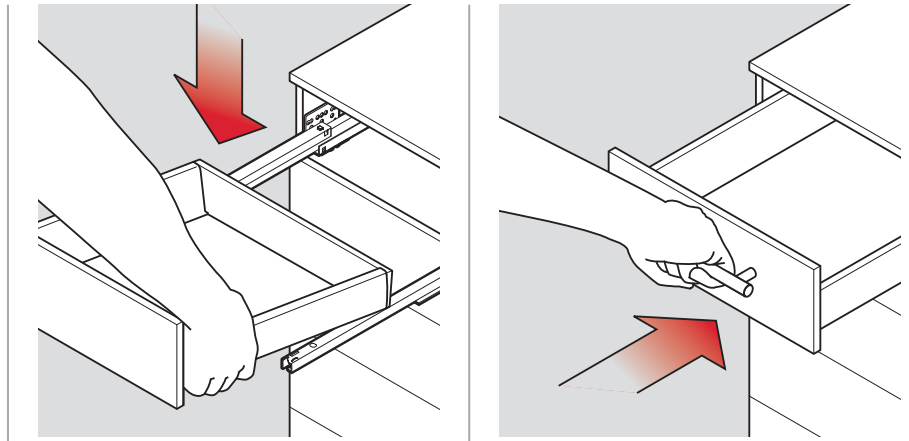
10256-00

Technical information

for Dynapro.

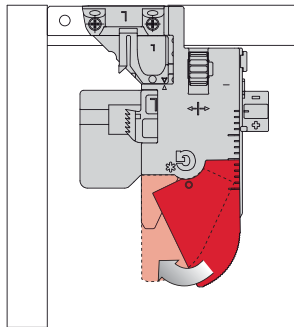
Engaging the drawer

Place drawer on extended Dynapro slide and slide on until it engages audibly



Disengaging the drawer

Pull the drawer out, operate the locking device levers and lift drawer from the slide.

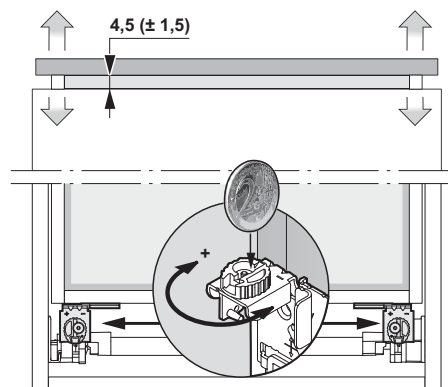


Front gap adjustment Dynapro Tipmatic Plus

Front gap adjustment

Safe opening and closing of the drawer depends on the front gap adjustment (factory setting 4.5 mm).

Depth adjustment possible on both sides (2 clicks = approx. 1 mm)



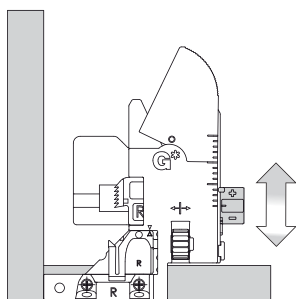
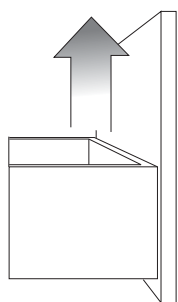
Note

Fixing the cabinet members:

The recommendations for screws are guidelines only. Installers need to ensure that the fixing substrate is adequate.

Height adjustment (max. +3.5 mm)

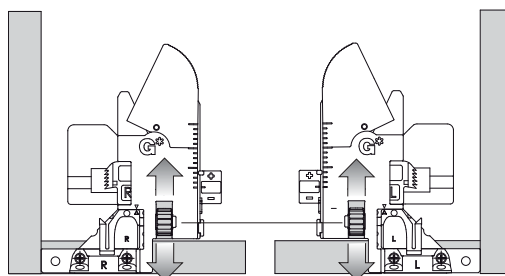
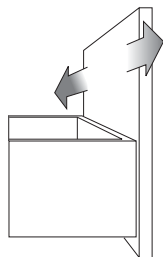
Dynapro Tipmatic Plus and Dynapro Soft-close



Side adjustment (max. ±1.5 mm)

Dynapro Tipmatic Plus and Dynapro Soft-close

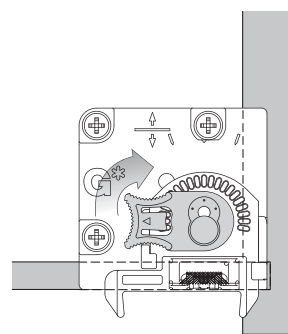
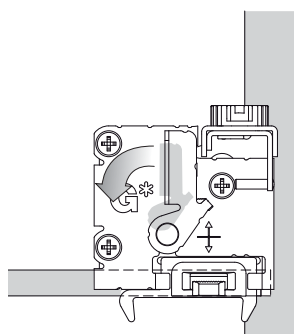
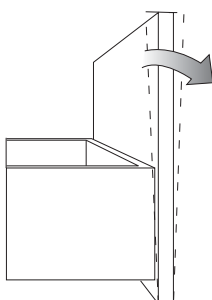
- 1 Adjust both wheels in the same direction
- 2 Disengage drawer
- 3 Engage drawer



Tilt adjustment (max. +4.0 mm)

Dynapro Tipmatic Plus

Dynapro Soft-close





Grass GmbH
Movement-Systems
Grass Platz 1
A 6973 Höchst, Austria
Phone +43 (0) 5578 701-0
Fax +43 (0) 5578 701-59
E-Mail info@grass.eu

www.grass.at